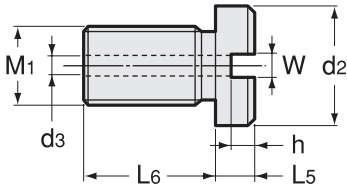


Milling Chuck Accessories

Stopper Bolt BL

Metric Sizes Unit : Metric



Code	Model	M1 P=1.0	L5	L6	W	h	d2	d3	Chucks
0711 040016 ※※	BL 16 -L5	10	5, 15, 25	14	5	3.5	15	4.5	CT16
0711 040020 ※※	BL 20 -L5	12	5, 15, 25	14	5	3.5	18	4.5	CT20, CT25
0711 040032 ※※	BL 32 -L5	18	10, 20, 35	17	5	5	25	4.5	CT32, CT42

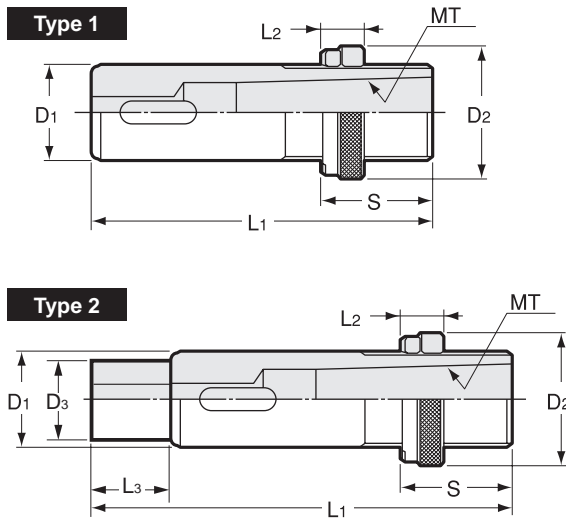
Choose right L5 dimension by checking minimum insertion length and shank I.D. depth.

Ordering Example

BL 16 - 15
size L5

Morse Taper Adapter MA (with Tr. nut)

Metric Sizes Unit : Metric



Code	Model	Type	D1	MT	D2	D3	L1	L2	L3	S
0714 02000161	MA 16 -MT1	1	16	1	24.6	—	76	16	—	16 ~ 32
0714 02000201	20 -MT1	1	20	1	31.6	—	85	16	—	16 ~ 37
0714 02000251	25 -MT1	1	25	1	35.6	—	89	16	—	16 ~ 37
0714 02000252	-MT2	1	25	2	35.6	—	89	16	—	16 ~ 37
0714 02000321	32 -MT1	2	32	1	44.6	25	119	19	30	19 ~ 39
0714 02000322	-MT2	2	32	2	44.6	25	119	19	30	19 ~ 39
0714 02000323	-MT3	2	32	3	44.6	25	119	19	30	19 ~ 39
0714 02000421	42 -MT1	1	42	1	55.6	—	135	19	—	19 ~ 48
0714 02000422	-MT2	1	42	2	55.6	—	135	19	—	19 ~ 48
0714 02000423	-MT3	1	42	3	55.6	—	135	19	—	19 ~ 48
0714 02000424	-MT4	1	42	4	55.6	—	135	19	—	19 ~ 48

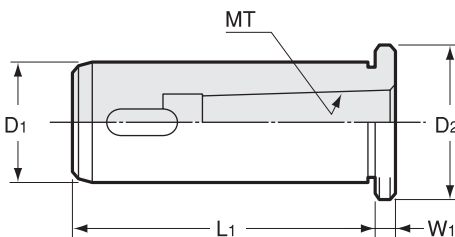
Not applicable for some holder sizes. Please see milling chuck pages.

Ordering Example

MA 16 - MT1
size MT No.

Morse Taper Adapter MAB

Metric Sizes Unit : Metric



Code	Model	D1	MT	L1	D2	W1
0711 02100161	MAB 16 -MT1	16	1	60	19	15
0711 02100201	20 -MT1	20	1	75	24	5
0711 02100251	25 -MT1	25	1	75	29	5
0711 02100252	-MT2	25	2	75	29	20
0711 02100321	32 -MT1	32	1	75	36	5
0711 02100322	-MT2	32	2	75	36	20
0711 02100323	-MT3	32	3	75	36	35
0711 02100421	42 -MT1	42	1	115	47	5
0711 02100422	-MT2	42	2	115	47	5
0711 02100423	-MT3	42	3	115	47	5
0711 02100424	-MT4	42	4	115	47	20

Not applicable for some holder sizes. Please see milling chuck pages.

Ordering Example

MAB 16 - MT1
size MT No.