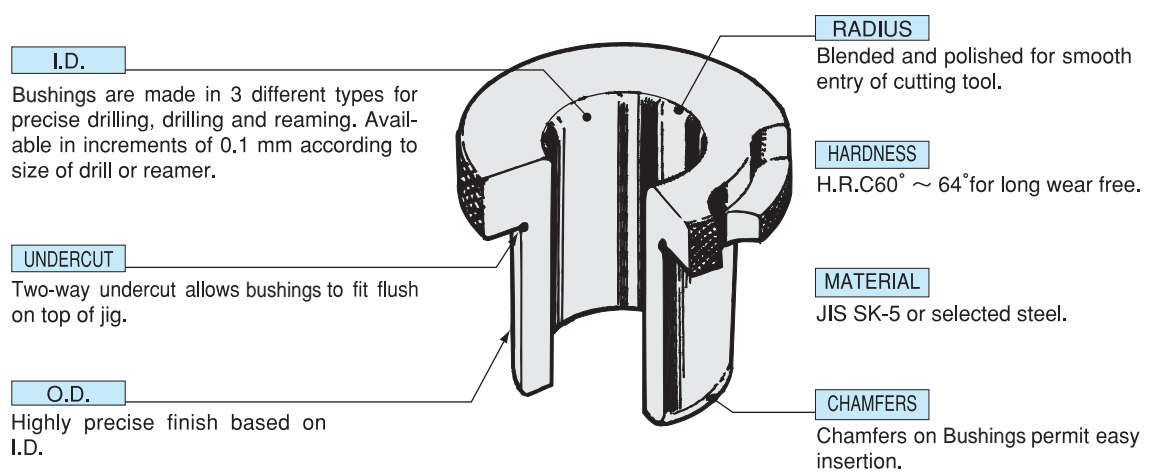


# Drill Jig Bushing



BT  
CAT  
AHO  
HSK-A/E/F/C  
HSK-T  
UTS  
Specialized Machine  
Related Equipment  
Bushing & Chamfering Drill

Drill Jig Bushing

Chamfering Cutter Series

Chamfering Series

Type	PRESS FIT BUSHING		RENEWABLE BUSHING
Designation	HEADLESS Type A	HEADED Type B	ROUND Type C
Tool applied			
Shape and sequence of fitting-in			
Sectional view			<p>Bushings that have the same O.D. are interchangeable with each other.</p>

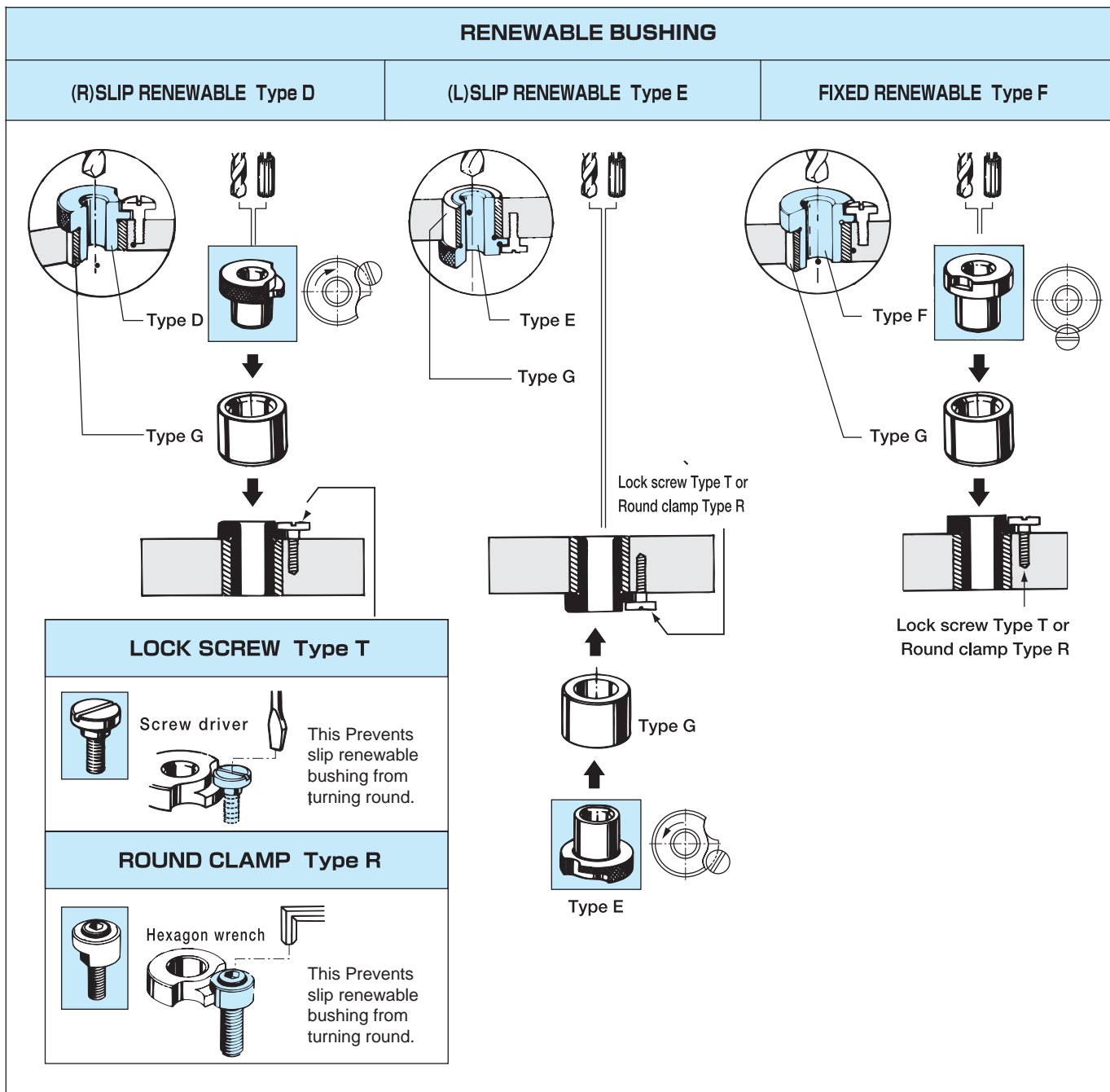
HOW TO INSTALL A JIG BUSHING	
PRESS FIT BUSHING Type A, B, G	RENEWABLE BUSHING Type C, D, E, F
<p><b>How to press-fit</b></p> <p>Press the bushing correctly into the bush plate.</p>	<p>Renewable bushing can be inserted by hand.</p>

**LINER BUSHING Type G**

This Guides the renewable bushing for smoother insertion or replacement.

Name	Press fit bushing		Renewable bushing				Headless liner bushing	Lock screw	Round clamp
	Headless	Headed	Round	Right slip	Left slip	Fixed			
Shape									
Higher accuracy	<b>SA</b>	<b>SB</b>	<b>SC</b>	<b>SD</b>	<b>SE</b>	<b>SF</b>	<b>G</b>	<b>T</b>	<b>R</b>
Standard accuracy	<b>A</b>	<b>B</b>	<b>C</b>	<b>D</b>	<b>E</b>	<b>F</b>			
Reaming	—	<b>BR</b>	<b>CR</b>	<b>DR</b>	<b>ER</b>	<b>FR</b>			

S...for higher accuracy R...for reaming



# Round Clamp Type R

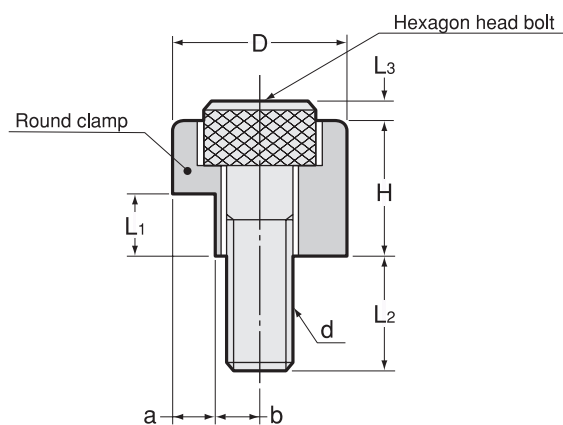
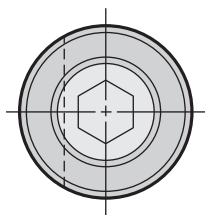
BT  
CAT  
AHO  
HSK-A/E/F/C  
HSK-T  
UTS  
Specialized Machine

Related Equipment  
Bushing & Chamfering Drill

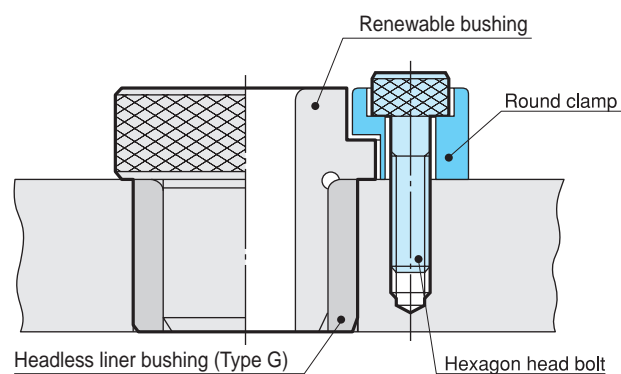
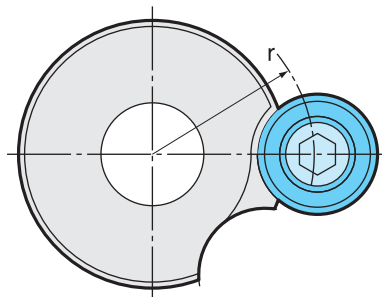
Drill Jig Bushing

Chamfering Cutter Series

Chamfering Series



## Example



## Application

Round clamp can be used in following cases.

1. Heavier round load is put on renewable bushing.
2. Round clamp can be used to prevent rotating of renewable bushing (Type D, E and F)

Model	d		D	a	b	H	L1	L2	L3	Hexagon headed bolt	Size of hexagon wrench
	Size	Pitch									
R-5	5	0.8	12.3 ±0.05	3 <sup>0</sup> <sub>-0.1</sub>	3.15	8	4	9	3	M5 × 15	4
R-6	6	1	15.5 ±0.05	4 <sup>0</sup> <sub>-0.1</sub>	3.75	12	5.5	8	2	M6 × 16	5
R-8	8	1.25	19.5 ±0.05	5 <sup>0</sup> <sub>-0.1</sub>	4.75	15	6.5	10.5	2.5	M8 × 20	6

Hexagon headed bolt is included in round clamp.

## Position and dimension of lock screw internal thread

Round clamp has the same position and dimension as those of T type lock screw.

### Code

- R-5 : 0007 00000005
- R-6 : 0007 00000006
- R-8 : 0007 00000008