

NTP-300A , NTP-400

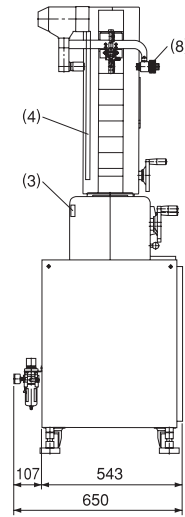
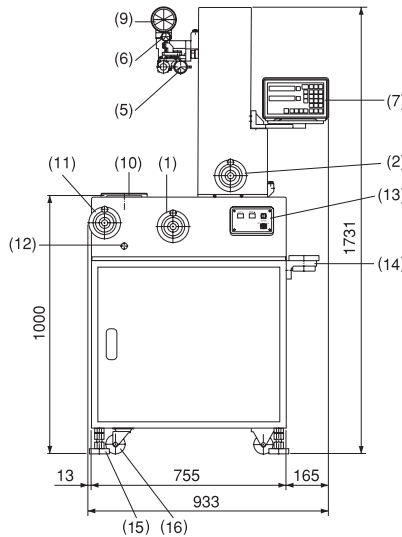
Tool Presetter

- One presetter can measure various kinds of shanks with taper reduction parts.

- BT
- CAT
- AHO
- HSK-A/E/F/C
- HSK-T
- UTS
- Specialized Machine
- Related Equipment
- Bush & Chamfering Drill
- Spanner Head Torque Wrench
- Shrink Fit System
- Digital measuring equipment of reference position
- Tool Presetter
- HSK Clamper
- "R" Zero Setter
- Simple Setter

NTP - 300A

Metric only

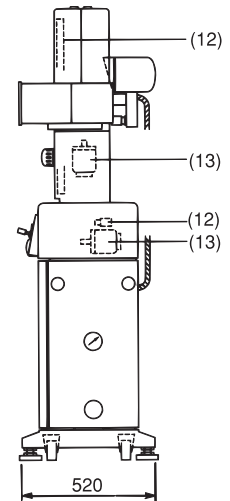
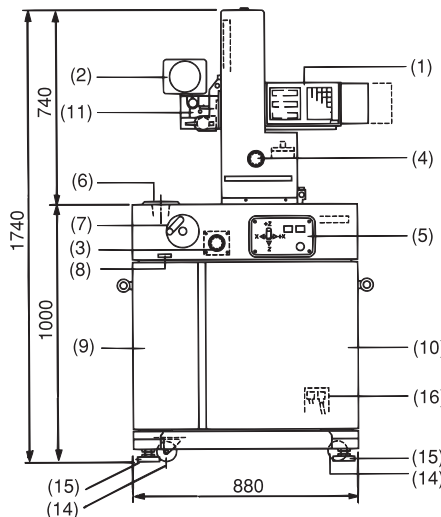


- (1) X-axis handle
- (2) Z-axis handle
- (3) X-axis scale
- (4) Z-axis scale
- (5) X-axis dial gauge
- (6) Z-axis dial gauge
- (7) Digital display
- (8) Optical projector (Light source unit)

- (9) Optical projector (Projecting unit)
- (10) Spindle
- (11) Spindle turning handle
- (12) Spindle fixing knob
- (13) Control panel
- (14) Tool setting pot
- (15) Level bolts
- (16) Casters



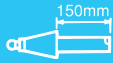
NTP - 400

Metric only



- (1) Digital display
- (2) Optical projector
- (3) X-axis handle
- (4) Z-axis handle
- (5) Control panel
- (6) Spindle
- (7) Spindle turning handle
- (8) Spindle fixing knob

- (9) Air cylinder storage unit
- (10) Accessory storage unit
- (11) Dial gauge for X,Z-axis
- (12) Scale for X,Z-axis
- (13) Motor for X,Z-axis
- (14) Casters
- (15) Level bolts
- (16) Connecting unit

| Specifications | | NTP-300A | NTP-400 |
|------------------------|--|--|------------------------------------|
| Measurement range | X axis (Tool diameter) Z axis (Tool length) | D=0 ~ ϕ 300mm L=50 ~ 500mm | D=0 ~ ϕ 400mm L=50 ~ 500mm |
| Min. readable unit | X-axis | Digital display ϕ 0.002mm (Diameter) 0.001mm (Radius) | |
| | Z-axis | Digital display 0.005mm | |
| Dial gauge |  1 division | X-axis 0.001mm Z-axis 0.01mm | |
| Spindle shank |  Spindle | BT30 ~ BT50 HSK32 ~ HSK100 UTS5040 ~ UTS10080 (Special) | |
| Master gauge |  150mm | Including 150mm as standard. | |
| Column movement method | | Handle (Manual) | Lever (Moter drive) |
| Power supply | | AC100V \pm 10% 50/60Hz If voltage exceeds AC 100V, please advise when ordering. | |
| Pneumatic supply | For auto tool lock | 0.4 ~ 0.7MPa | |
| Weight | | 350kg | 400kg |
| Standard accessories | | Wrench set, Taper cleaner, Cover set, Lamp, Operating manual, Pedestal, Precision table, Spanner | |

Metric measurement only.

| Digital display | |
|-----------------|-----------------|
| A : Standard | B : with RS232C |

| Retention stud | | |
|----------------|-------|--------|
| MASI | MASII | Others |

When ordering others, please specify.

NTP-300A

Ordering Example

NTP-300A - A - BT40 - 2
 Digital display A type | Holder Support | Retention stud MAS II

NTP-400

Ordering Example

NTP-400 - B - BT50 - 1
 Digital display B type | Holder Support | Retention stud MAS I