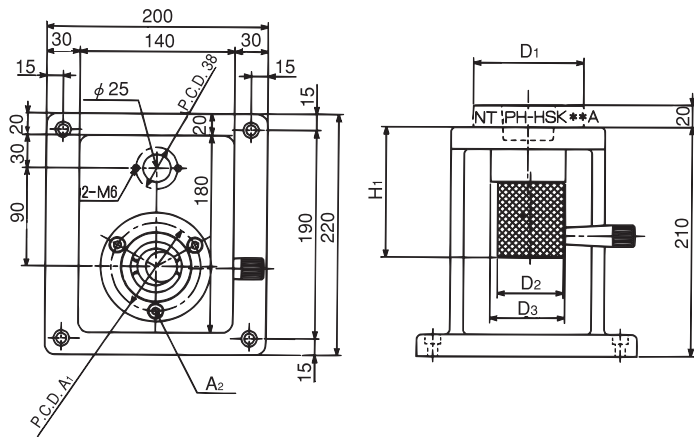


# SPN1-HSK

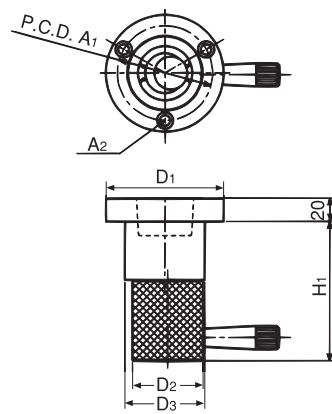
HSK Clamper

BT  
CAT  
AHO  
HSK-A/E/F/C  
HSK-T  
UTS  
Specialized Machine  
Related Equipment  
Bush & Chamfering Drill  
Spanner Head Torque Wrench

## Set



## Holder support only



Shrink Fit System  
Digital measuring equipment of reference position

## Feature

1. Easy to clamp holder as just insert HSK (A, C, or T) shank and rotate knob 90 degrees.
2. Tool length measurement is possible.

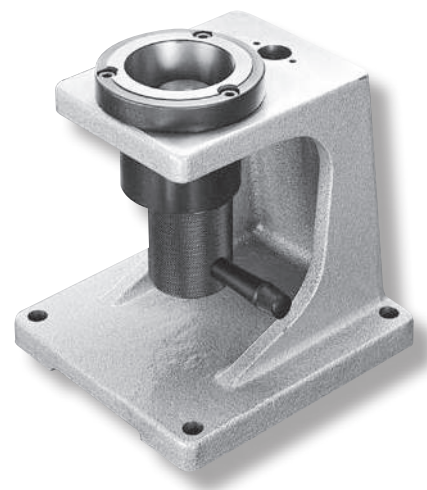
Tool Presetter  
HSK Clamper

Set	
Code	Model
5580 00001040	<b>SPN1 -HSK40A</b>
5580 00001050	<b>SPN1 -HSK50A</b>
5580 00001063	<b>SPN1 -HSK63A</b>
5580 00001100	<b>SPN1 -HSK100A</b>

"R" Zero Setter  
Simple Setter

## Holder support only

Model	Code	D1	D2	D3	H1	A1	A2
<b>PH -HSK40A</b>	5584 00000040	80	47	54	127	65	3-M6
<b>PH -HSK50A</b>	5584 00000050	80	47	54	127	65	3-M6
<b>PH -HSK63A</b>	5584 00000063	118	60	85	125	102	3-M8
<b>PH -HSK100A</b>	5584 00000100	118	60	85	145	102	3-M8



### Ordering Example

**SPN1 - HSK63A**

Base PBN-1    Shank size

### Ordering Example

**PH - HSK63A**

Shank size