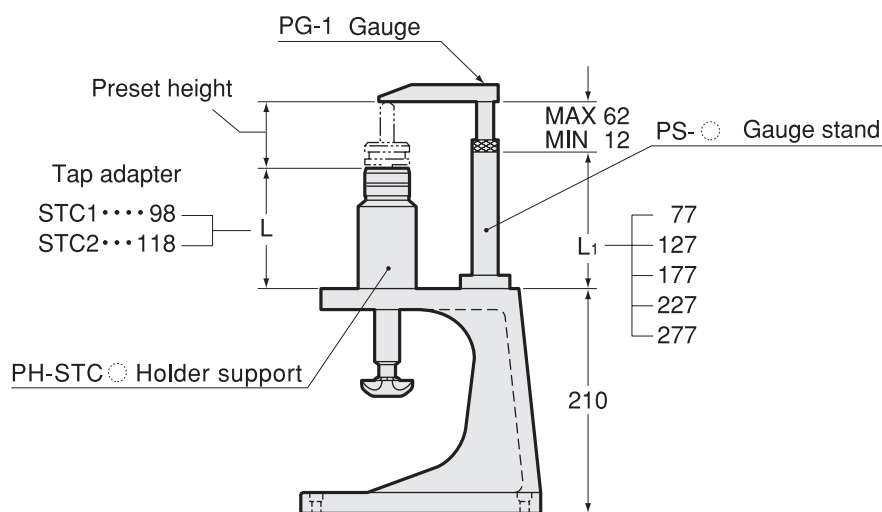
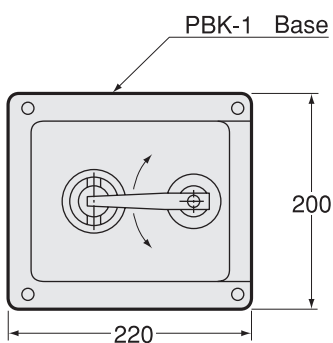


SPK-STC

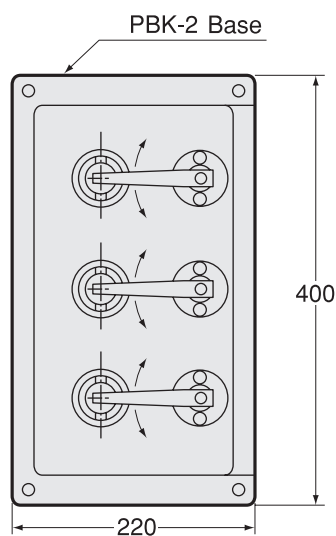
Simple Setter For STC

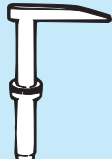
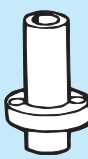


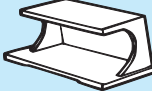


SPK1



SPK2



Gauge	Gauge stand	Holder support	Base
			 
PG-1	PS-○	PH-STC○	PBK-1○ PBK-2○

Ordering Example

SPK1 - STC1 - 77

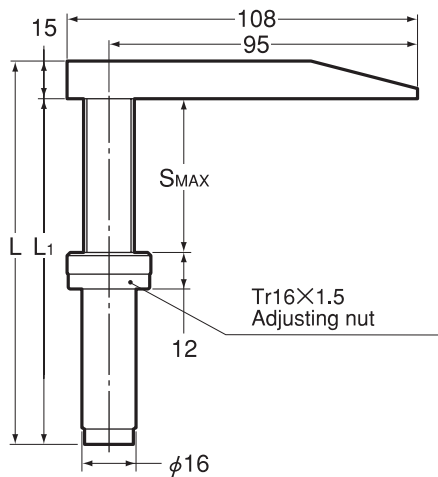
Base PBK-1 Holder Support Gauge stand height L1

Code

0090 13 1 01 077

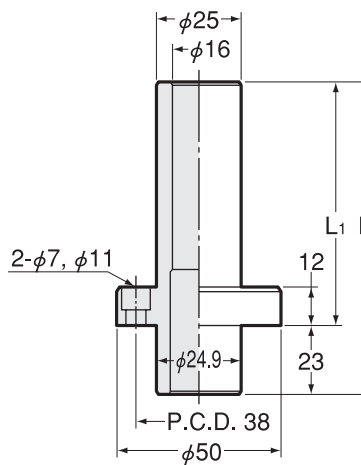
Base PBK-1 Holder Support Gauge stand height L1

PG Guage



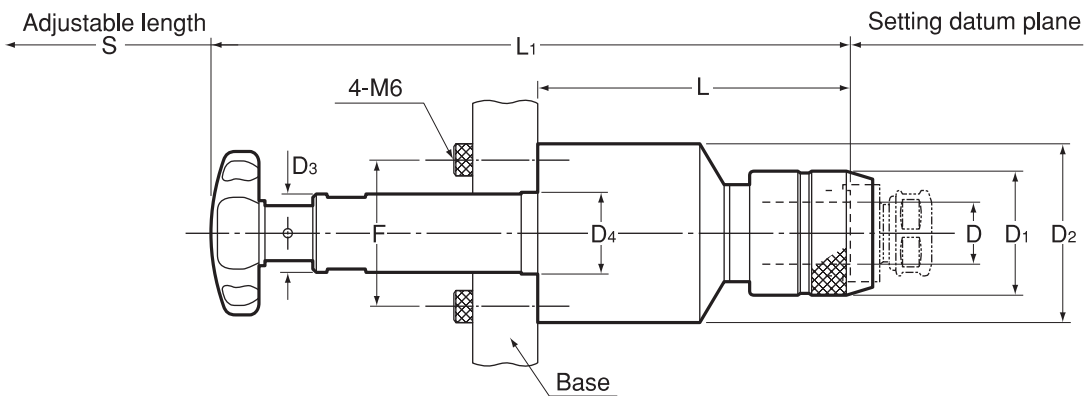
Code	Model	L	L1	SMAX	kg
0091 06000001	PG-1	128	113	50	0.4

PS Guage stand



Code	Model	L	L1
0091 01000001	PS -1	100	77
0091 01000002	PS -2	150	127
0091 01000003	PS -3	200	177
0091 01000004	PS -4	250	227
0091 01000005	PS -5	300	277

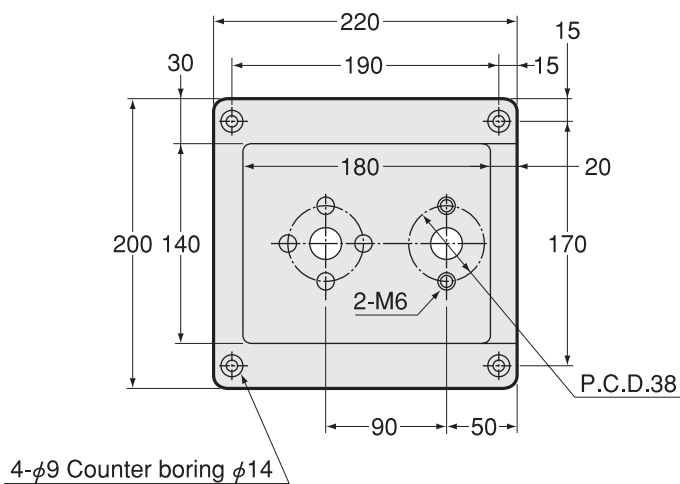
Holder support PH-STC



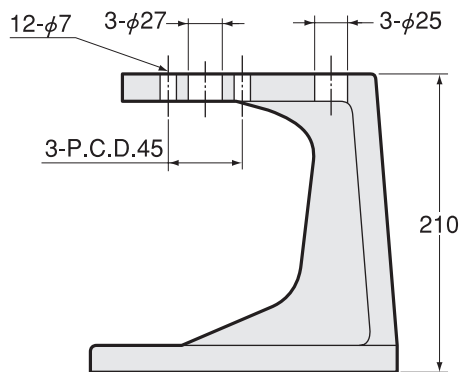
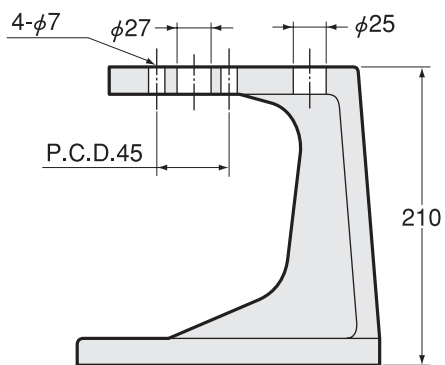
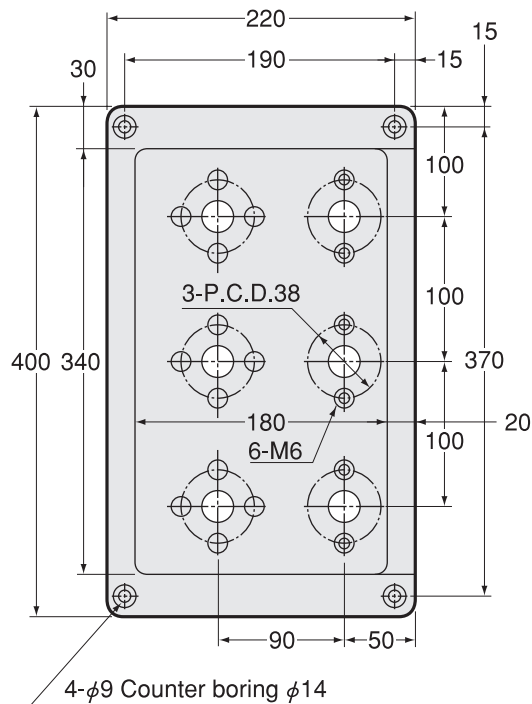
Code	Model	D	D1	D2	D3	D4	L	L1	F	S	kg
0091 14000001	PH -STC1	19	38	55	24	25	98	200.5	45	45	1.5
0091 14000002	PH -STC2	31	55	55	24	25	118	220.5	45	45	1.9

Base PBK

TYPE1



TYPE2



Code	Model	Type	Holder support	Gauge stand
0091 07100145	PBK -1-45	1	PH-STC1, PH-STC2	PS-1 ~ PS-5
0091 07100245	PBK -2-45	2	PH-STC1, PH-STC2	PS-1 ~ PS-5

BT

CAT

AHO

HSK-A/E/F/C

HSK-T

UTS

Specialized Machine

Related Equipment

Bush & Chamfering Drill

Spanner Head Torque Wrench

Shrink Fit System

Digital measuring equipment reference position

Tool Presetter

HSK Clamper

"R" Zero Setter

Simple Setter