

SIMPLE SETTER

Expensive all purpose tool presettters are widely available in the market. However, customers have been spending a lot of time and money to make presettters for projection length of cutting tool.

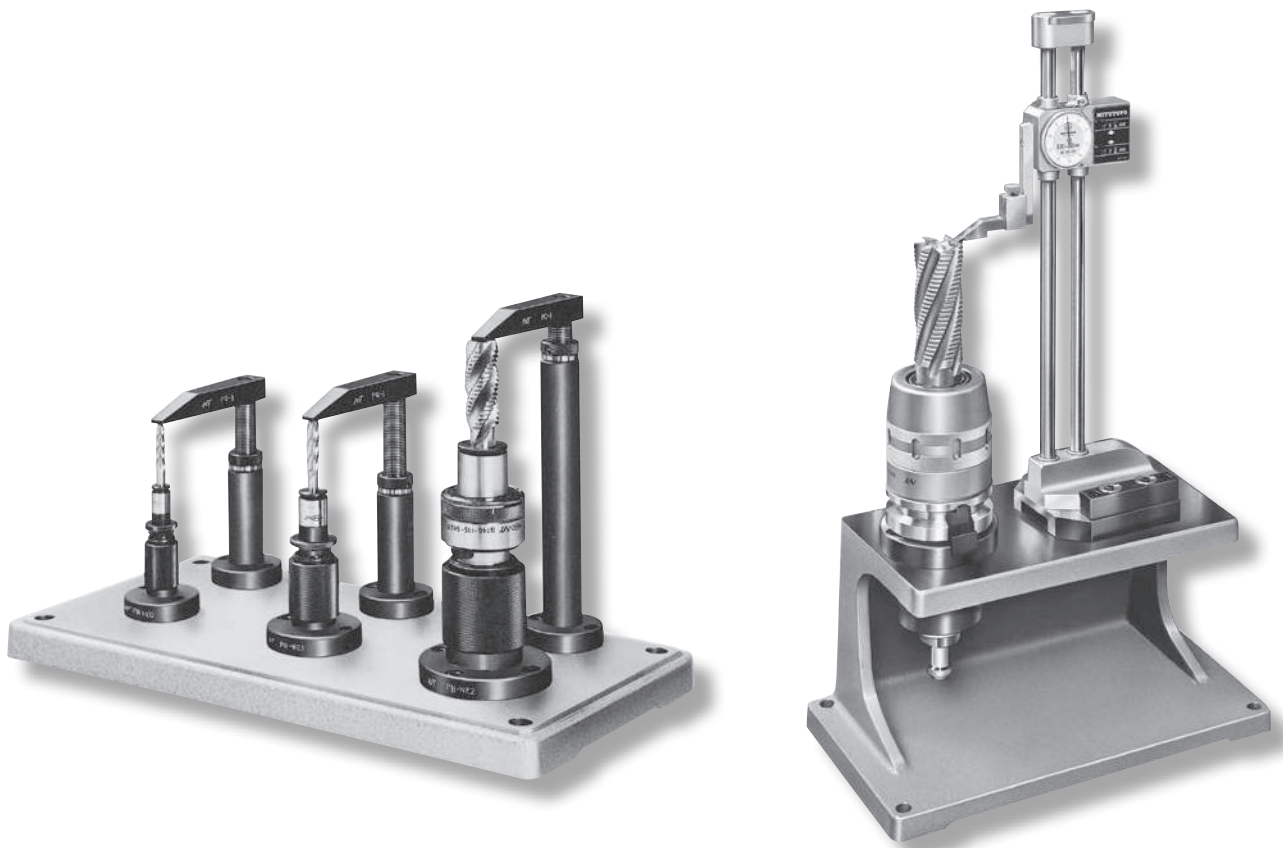
NT's simple setter provides preset gauge suitable for customers needs.

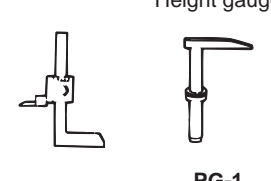
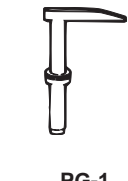
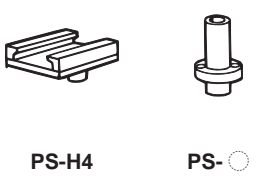
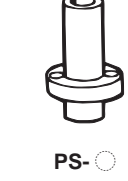

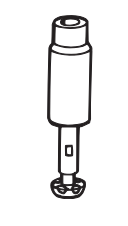
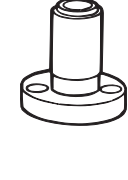
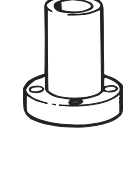
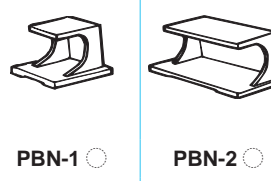
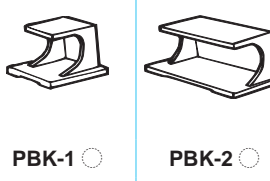


Application



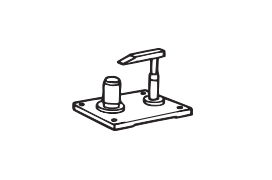

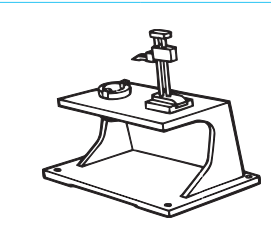
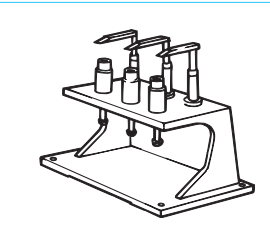
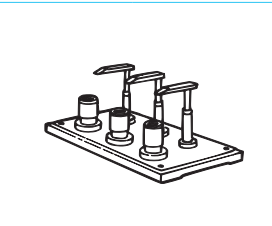
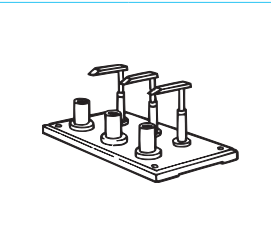
- Tool presetting for the use on machining centers and dedicated machines.

Feature

- Wide variety of types and sizes
- Quick-to-built-up preset gauge

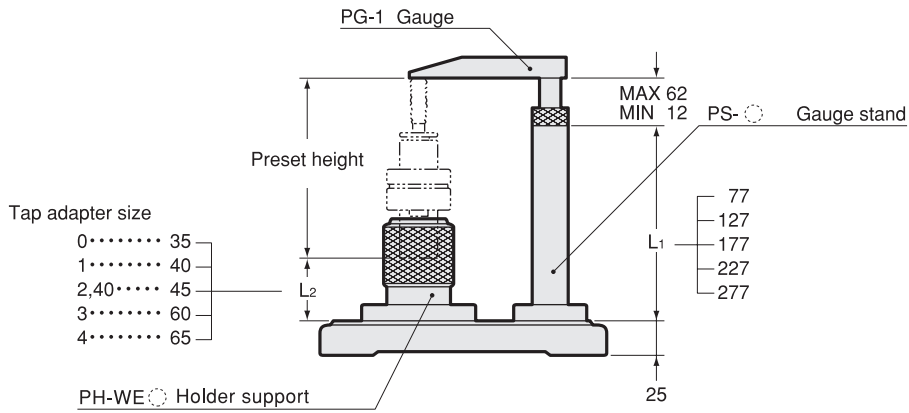


	For NC Toolings	For NT stub holders	For tap adapters	For Tr. shank
Gauge	<p>Height gauge</p>  <p>conventional PG-1</p>		 <p>PG-1</p>	
Gauge stand	 <p>PS-H4 PS-0</p>		 <p>PS-0</p>	
Holder support	 <p>PH-NT ○</p>	 <p>PH-STC ○ PH-K ○ PH-KH ○ ○ A</p>	 <p>PH-WE ○</p>	 <p>PH-Tr ○</p>
Base	 <p>PBN-1 ○ PBN-2 ○</p>	 <p>PBK-1 ○ PBK-2 ○</p>	 <p>PBT-1 ○</p>	 <p>PBT-2 ○</p>

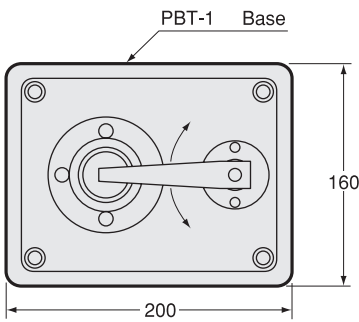
Set-up	 <p>SPN1-NT ○ - ○</p> <p>Break-down (PG - 1, PS - 0, PH-NT, PBN-1) 1pc each</p>	 <p>SPK1-K ○ ○ - ○</p> <p>Break-down (PG - 1, PS - 0, PH-K, PBK-1) 1pc each</p>	 <p>SPW1-WE ○ - ○</p> <p>Break-down (PG - 1, PS - 0, PH-WE, PBT-1) 1pc each</p>	 <p>SPT1-Tr ○ - ○</p> <p>Break-down (PG - 1, PS - 0, PH-Tr, PBT-1) 1pc each</p>
	 <p>SPN2-NT ○ + Existing Height gauge</p> <p>Break-down (PS-H4, PH-NT, PBN-2) 1pc each</p>	 <p>SPK2-K ○ ○ - ○</p> <p>Break-down (PG - 1, PS - 0, PH-K, PBK-2) 3pcs each, 1pc</p>	 <p>SPW2-WE ○ - ○</p> <p>Break-down (PG - 1, PS - 0, PH-WE, PBT-2) 3pcs each, 1pc</p>	 <p>SPT2-Tr ○ - ○</p> <p>Break-down (PG - 1, PS - 0, PH-Tr, PBT-2) 3pcs each, 1pc</p>

SPW

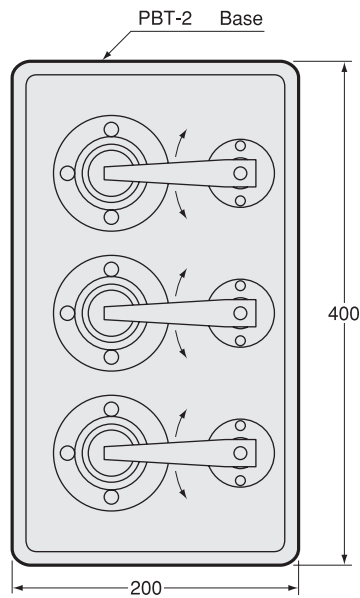
Simple Setter For Tap Adapter



SPW1



SPW2



Gauge	Gauge stand	Holder support	Base
PG-1	PS- ○	PH-WE ○	PBT-1 ○ PBT-2 ○

Ordering Example

SPW1 - WE1 - 127
 Base PBT-1 Holder Support Gauge stand height L1

Code

0090 03 1 0 1 127
 Base PBT-1 Tap adapter size Gauge stand height L1

Related Equipment

Spanner Head Torque Wrench

Shrink Fit System

Digital measuring equipment reference position

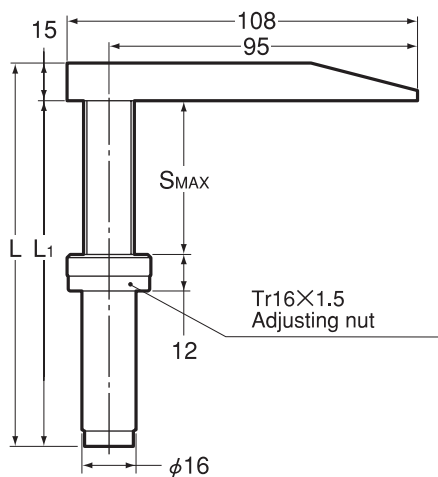
Tool Presetter

HSK Clamper

"R" Zero Setter

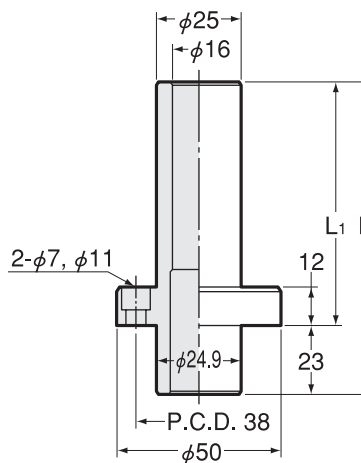
Simple Setter

Guage PG



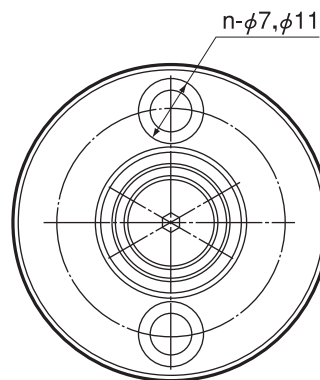
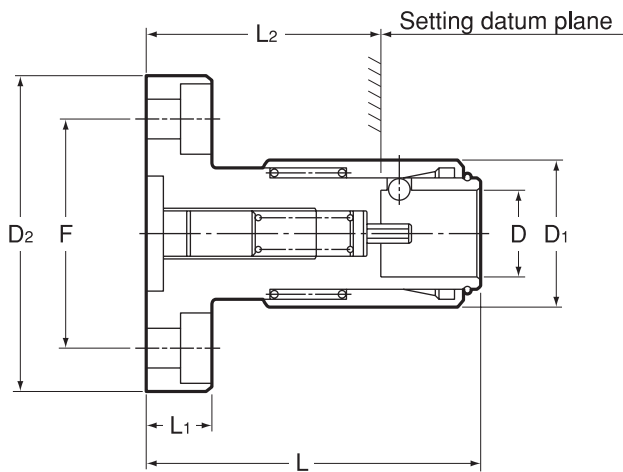
Code	Model	L	L1	SMAX	kg
0091 06000001	PG-1	128	113	50	0.4

Guage stand PS



Code	Model	L	L1
0091 01000001	PS -1	100	77
0091 01000002	PS -2	150	127
0091 01000003	PS -3	200	177
0091 01000004	PS -4	250	227
0091 01000005	PS -5	300	277

Holder support PH-WE



Code	Model	D	D1	D2	L	L1	L2	F	n	kg
0091 04000000	PH -WE0	13.5	23	50	50	12	35	36	2	0.3
0091 04000001	PH -WE1	19.5	32	60	56	12	40	45	2	0.5
0091 04000040	PH -WE40	26.5	40	65	70	12	45	51	4	
0091 04000002	PH -WE2	31.5	50	76	72	12	45	62	4	1.0
0091 04000003	PH -WE3	48.5	72	100	105	12	60	83	4	
0091 04000004	PH -WE4	60.5	92	120	114	12	65	105	4	

BT

CAT

AHO

HSK-A/E/F/C

HSK-T

UTS

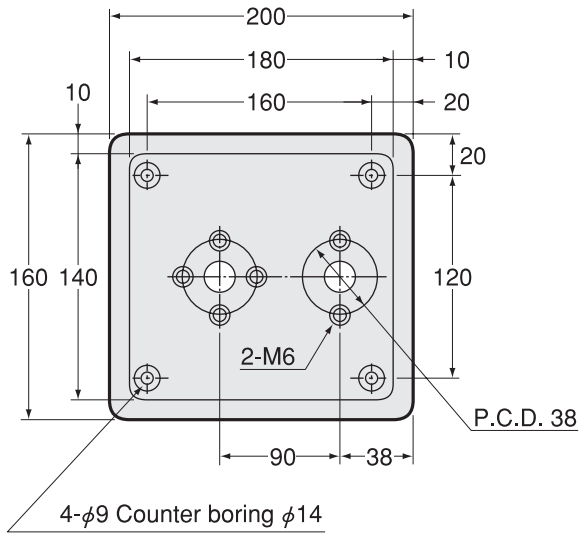
Specialized Machine

Related Equipment

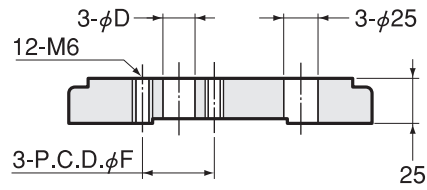
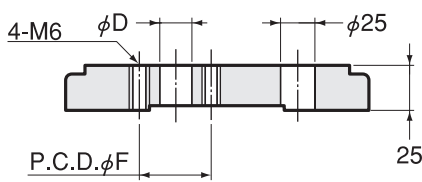
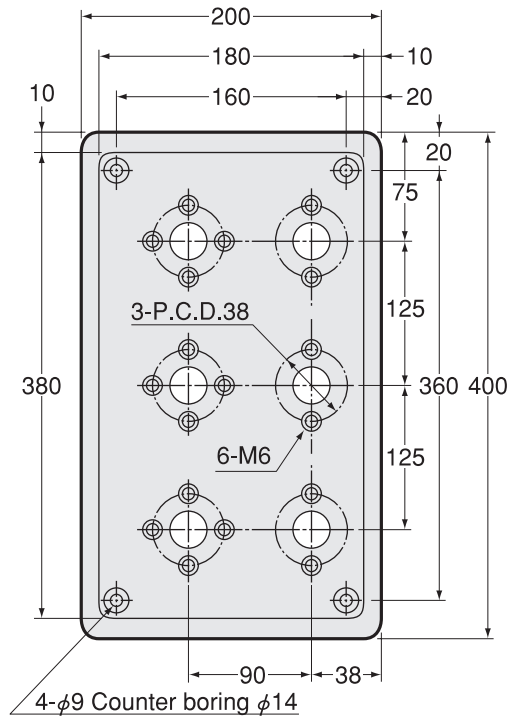
Bush & Chamfering Drill

Base PBT

TYPE1



TYPE2



Code	Model	Type	φ F	φ D	Holder support	Gauge stand
0091 07200136	PBT -1-36	1	36	17	PH-WE0	PS-1 ~ PS-5
0091 07200236	PBT -2-36	2	36	17	PH-WE0	PS-1 ~ PS-5
0091 07200145	PBT -1-45	1	45	23	PH-WE1	PS-1 ~ PS-5
0091 07200245	PBT -2-45	2	45	23	PH-WE1	PS-1 ~ PS-5
0091 07200151	PBT -1-51	1	51	31	PH-WE40	PS-1 ~ PS-5
0091 07200251	PBT -2-51	2	51	31	PH-WE40	PS-1 ~ PS-5
0091 07200162	PBT -1-62	1	62	37	PH-WE2	PS-1 ~ PS-5
0091 07200262	PBT -2-62	2	62	37	PH-WE2	PS-1 ~ PS-5
0091 07200183	PBT -1-83	1	83	56	PH-WE3	PS-1 ~ PS-5
0091 07200283	PBT -2-83	2	83	56	PH-WE3	PS-1 ~ PS-5
0091 07201105	PBT -1-105	1	105	68	PH-WE4	PS-1 ~ PS-5
0091 07202105	PBT -2-105	2	105	68	PH-WE4	PS-1 ~ PS-5