

## SIMPLE SETTER

Expensive all purpose tool presettters are widely available in the market. However, customers have been spending a lot of time and money to make presettters for projection length of cutting tool.

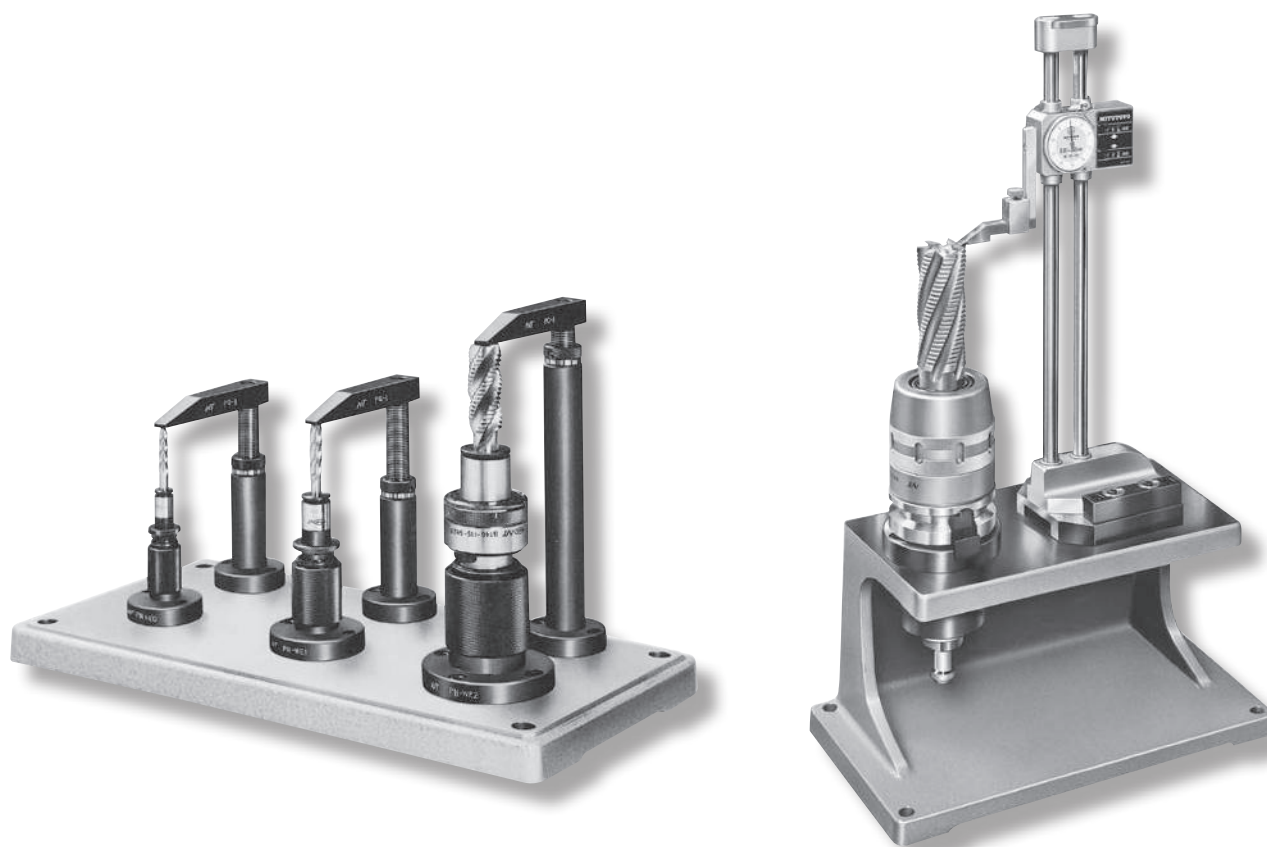
NT's simple setter provides preset gauge suitable for customers needs.

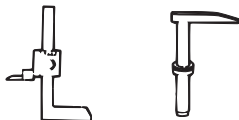
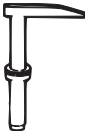

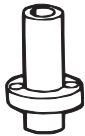


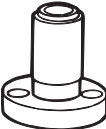
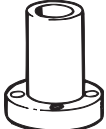




### Application





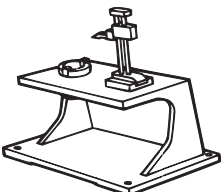
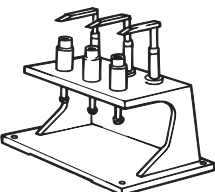
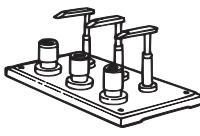
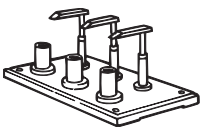
- Tool presetting for the use on machining centers and dedicated machines.

### Feature

- Wide variety of types and sizes
- Quick-to-built-up preset gauge



	For NC Toolings	For NT stub holders	For tap adapters	For Tr. shank
Gauge	<p>Height gauge</p>  <p>conventional</p> <p>PG-1</p>		 <p>PG-1</p>	
Gauge stand	 <p>PS-H4</p> <p>PS-0</p>		 <p>PS-0</p>	
Holder support	 <p>PH-NT</p>	 <p>PH-STC PH-K PH-KH</p>	 <p>PH-WE</p>	 <p>PH-Tr</p>
Base	 <p>PBN-1</p> <p>PBN-2</p>	 <p>PBK-1</p> <p>PBK-2</p>	 <p>PBT-1</p>	 <p>PBT-2</p>

Set-up	 <p>SPN1-NT</p> <p>Break-down: PG-1, PS-0, PH-NT, PBN-1 (1pc each)</p>	 <p>SPK1-K</p> <p>Break-down: PG-1, PS-0, PH-K, PBK-1 (1pc each)</p>	 <p>SPW1-WE</p> <p>Break-down: PG-1, PS-0, PH-WE, PBT-1 (1pc each)</p>	 <p>SPT1-Tr</p> <p>Break-down: PG-1, PS-0, PH-Tr, PBT-1 (1pc each)</p>
	 <p>SPN2-NT + Existing Height gauge</p> <p>Break-down: PS-H4, PH-NT, PBN-2 (1pc each)</p>	 <p>SPK2-K</p> <p>Break-down: PG-1, PS-0, PH-K, PBK-2 (3pcs each), PBK-2 (1pc)</p>	 <p>SPW2-WE</p> <p>Break-down: PG-1, PS-0, PH-WE, PBT-2 (3pcs each), PBT-2 (1pc)</p>	 <p>SPT2-Tr</p> <p>Break-down: PG-1, PS-0, PH-Tr, PBT-2 (3pcs each), PBT-2 (1pc)</p>

BT  
CAT  
AHO  
HSK-A/E/F/C  
HSK-T  
UTS  
Specialized Machine  
Related Equipment  
Bush & Chamfering Drill

Spanner Head Torque Wrench

Shrink Fit System

Digital measuring equipment of reference position

Tool Presetter

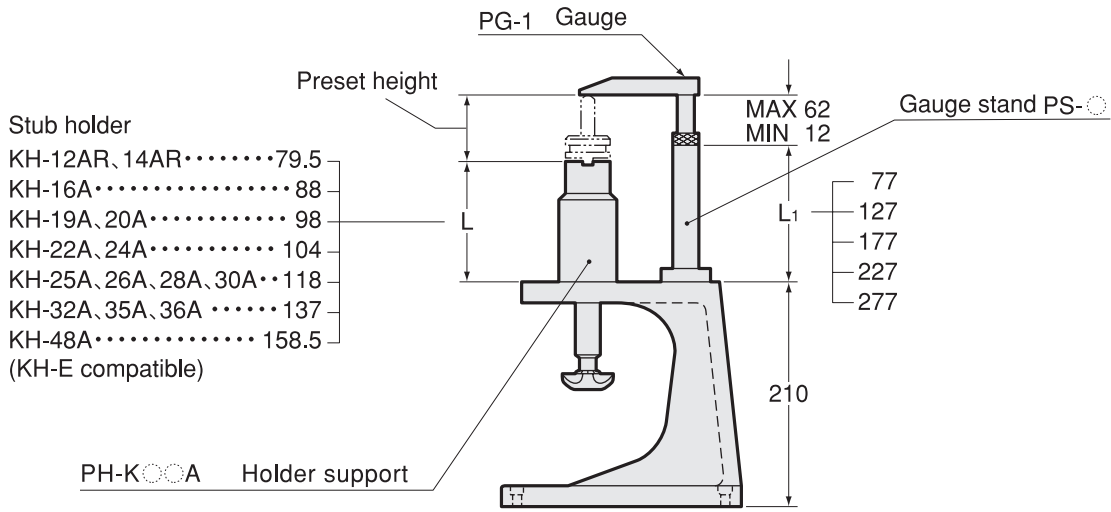
HSK Clamper

"R" Zero Setter

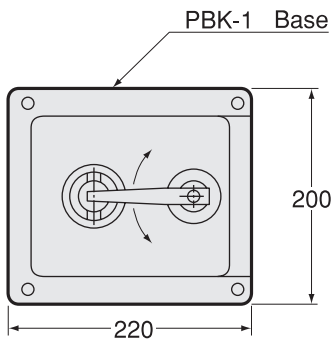
Simple Setter

# SPK-KHA

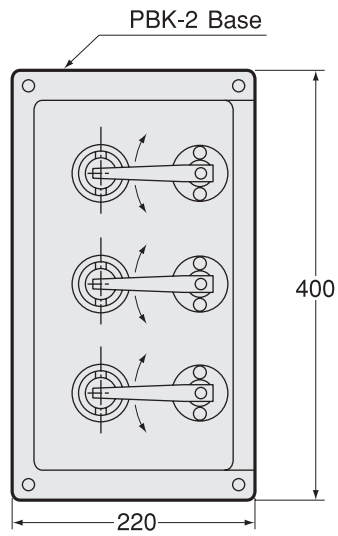
Simple Setter For KH-A, KH-E



## SPK1



## SPK2



Gauge	Gauge stand	Holder support	Base
PG-1	PS-○	PH-KH○A	PBK-1○ PBK-2○

### Ordering Example

**SPK1 - KH16A - 77**

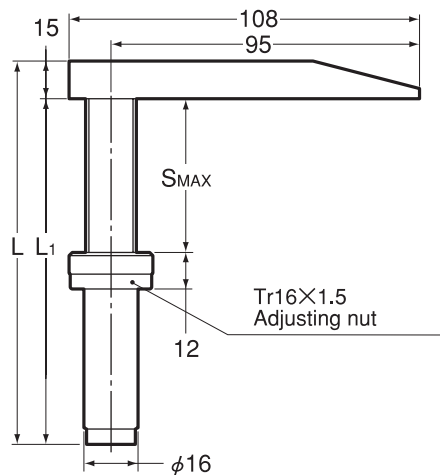
Base PBK-1 Holder Support Gauge stand height L1

### Code

**0090 12 1 16 077**

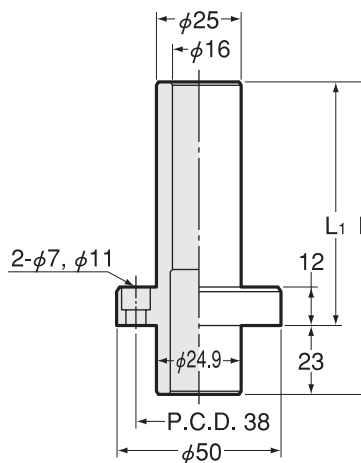
Base PBK-1 Holder Support Gauge stand height L1

**PG Guage**



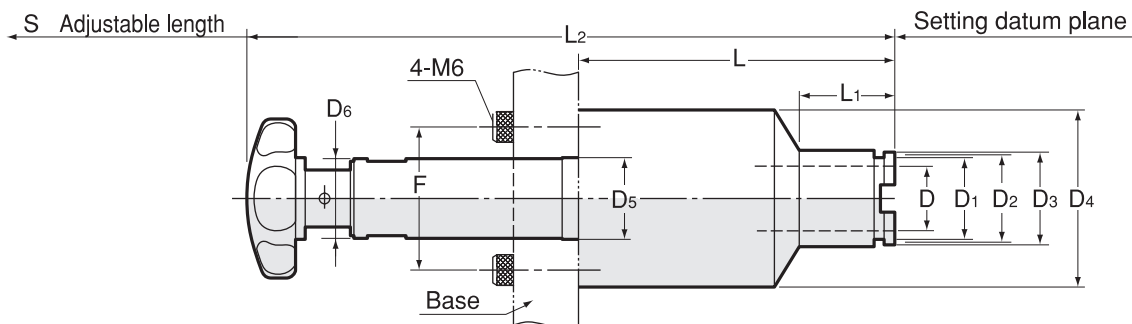
Code	Model	L	L1	SMAX	kg
0091 06000001	<b>PG-1</b>	128	113	50	0.4

**PS Guage stand**



Code	Model	L	L1
0091 01000001	<b>PS -1</b>	100	77
0091 01000002	<b>PS -2</b>	150	127
0091 01000003	<b>PS -3</b>	200	177
0091 01000004	<b>PS -4</b>	250	227
0091 01000005	<b>PS -5</b>	300	277

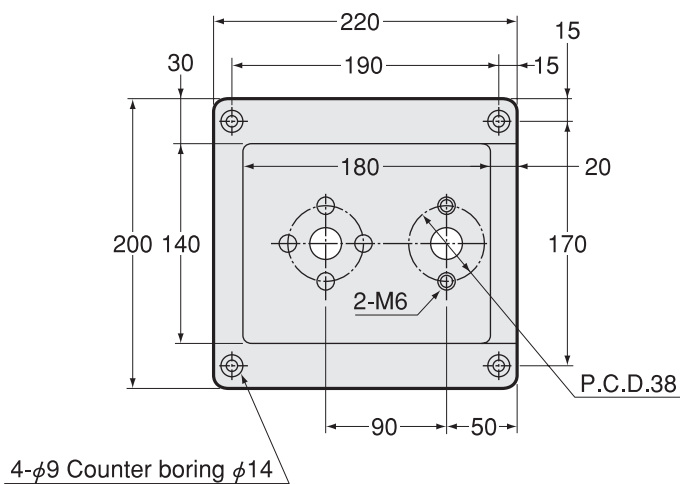
**PH-KHA Holder support**



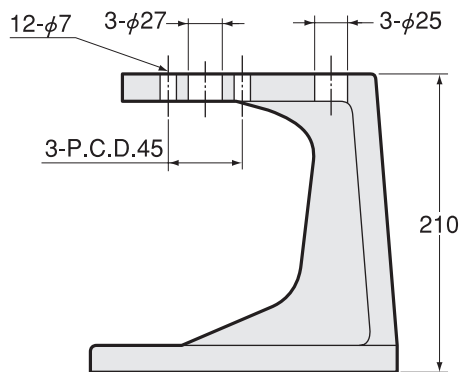
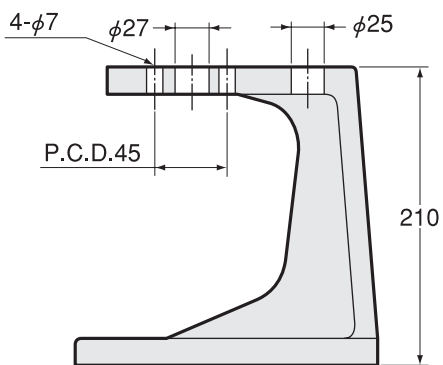
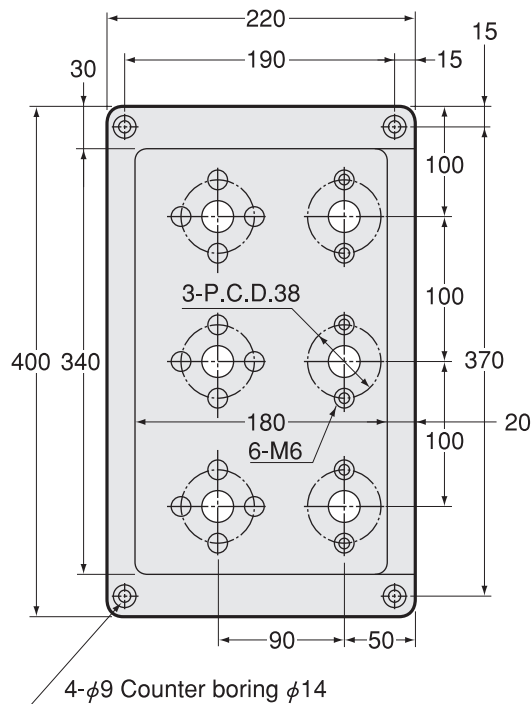
Code	Model	D	D1	D2	D3	D4	D5	D6	L	L1	L2	F	S	kg
0091 13000012	<b>PH -KH12AR</b>	12	16.5	18	20	55	25	24	79.5	30	182	45	45	1.2
0091 13000014	<b>PH -KH14AR</b>	14	20	22	24	55	25	24	79.5	30	182	45	45	1.2
0091 13000016	<b>PH -KH16A</b>	16	24	26.4	29	55	25	24	88	30	190.5	45	45	1.4
0091 13000019	<b>PH -KH19A</b>	19	27	29.4	32	55	25	24	98	30	200.5	45	45	1.5
0091 13000020	<b>PH -KH20A</b>	20	27	29.4	32	55	25	24	98	30	200.5	45	45	1.5
0091 13000022	<b>PH -KH22A</b>	22	30	32.4	35	55	25	24	104	30	206.5	45	45	1.6
0091 13000024	<b>PH -KH24A</b>	24	32	34.4	37	55	25	24	104	30	206.5	45	45	1.6
0091 13000025	<b>PH -KH25A</b>	25	35	37.4	41	55	25	24	118	30	220.5	45	45	1.9
0091 13000026	<b>PH -KH26A</b>	26	35	37.4	41	55	25	24	118	30	220.5	45	45	1.8
0091 13000028	<b>PH -KH28A</b>	28	38	40.4	44	55	25	24	118	30	220.5	45	45	1.8
0091 13000030	<b>PH -KH30A</b>	30	38	40.4	44	55	25	24	118	30	220.5	45	45	1.8
0091 13000032	<b>PH -KH32A</b>	32	41	43.8	47	55	25	24	137	30	239.5	45	45	2.0
0091 13000035	<b>PH -KH35A</b>	35	45	47.8	52	55	25	24	137	30	239.5	45	45	1.9
0091 13000036	<b>PH -KH36A</b>	36	45	47.8	52	55	25	24	137	30	239.5	45	45	1.9
0091 13000048	<b>PH -KH48A</b>	48	62	65.4	68	70	25	24	158.5	30	261	45	45	3.1

PBK Base

TYPE1



TYPE2



Code	Model	Type	Holder support	Gauge stand
0091 07100145	<b>PBK -1-45</b>	1	PH-KH12AR ~ PH-KH48A	PS-1 ~ PS-5
0091 07100245	<b>PBK -2-45</b>	2	PH-KH12AR ~ PH-KH48A	PS-1 ~ PS-5

BT

CAT

AHO

HSK-A/E/F/C

HSK-T

UTS

Specialized Machine

Related Equipment

Bush & Chamfering Drill

Spanner Head

Torque Wrench

Shrink Fit System

Digital measuring equipment reference position

Tool Presetter

HSK Clamper

"R" Zero Setter

Simple Setter