

## SIMPLE SETTER

Expensive all purpose tool presettors are widely available in the market. However, customers have been spending a lot of time and money to make presettors for projection length of cutting tool.

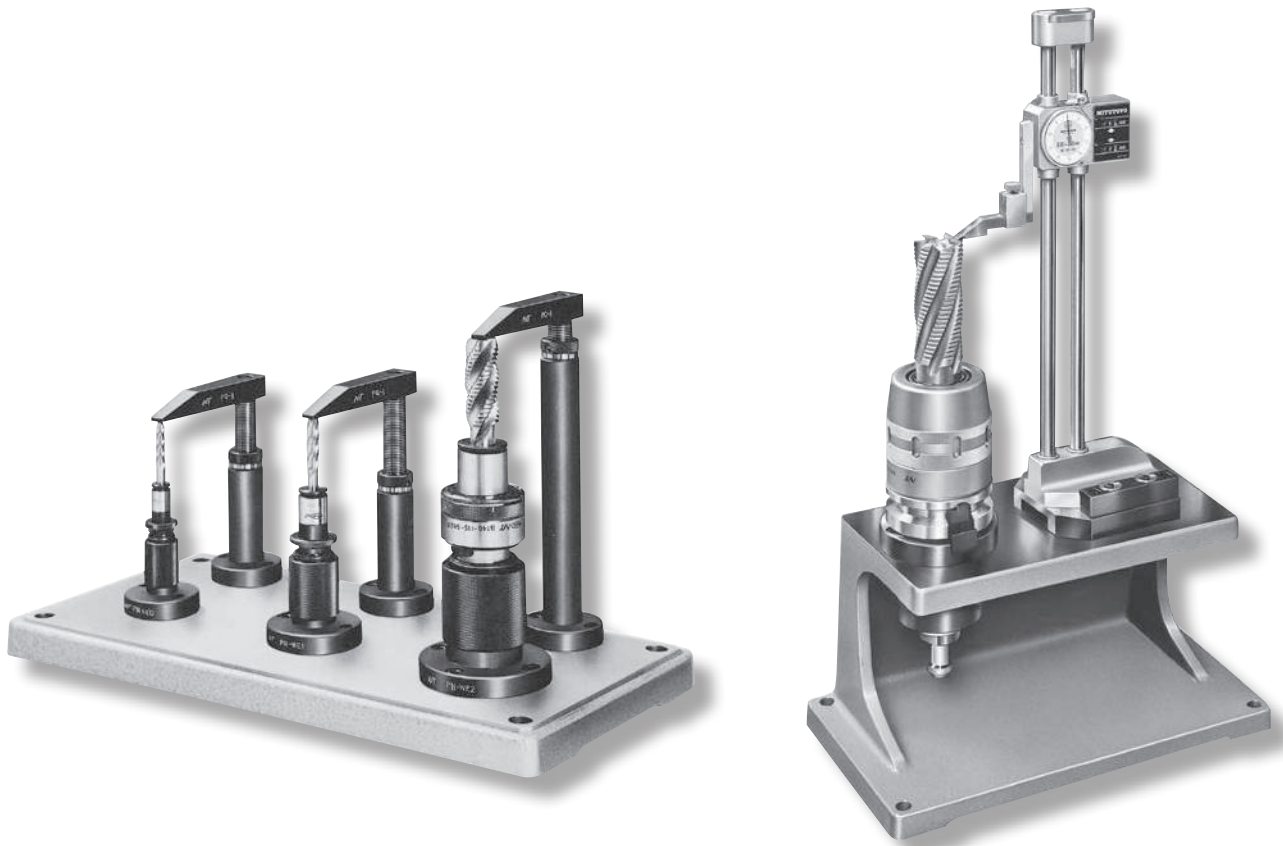
NT's simple setter provides preset gauge suitable for customers needs.

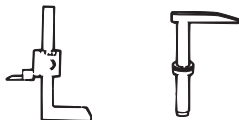
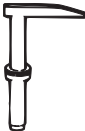




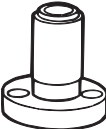
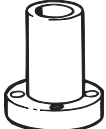




### Application





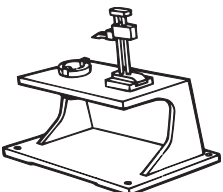
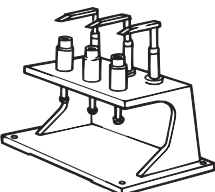
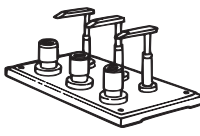
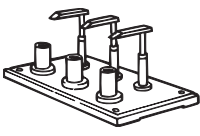
- Tool presetting for the use on machining centers and dedicated machines.

### Feature

- Wide variety of types and sizes
- Quick-to-built-up preset gauge



	For NC Toolings	For NT stub holders	For tap adapters	For Tr. shank
Gauge	<p>Height gauge</p>  <p>conventional</p> <p>PG-1</p>		 <p>PG-1</p>	
Gauge stand	 <p>PS-H4</p> <p>PS-0</p>		 <p>PS-0</p>	
Holder support	 <p>PH-NT</p>	 <p>PH-STC PH-K PH-KH</p>	 <p>PH-WE</p>	 <p>PH-Tr</p>
Base	 <p>PBN-1</p> <p>PBN-2</p>	 <p>PBK-1</p> <p>PBK-2</p>	 <p>PBT-1</p>	 <p>PBT-2</p>

Set-up	 <p>SPN1-NT</p> <p>Break-down: PG-1, PS-0, PH-NT, PBN-1 (1pc each)</p>	 <p>SPK1-K</p> <p>Break-down: PG-1, PS-0, PH-K, PBK-1 (1pc each)</p>	 <p>SPW1-WE</p> <p>Break-down: PG-1, PS-0, PH-WE, PBT-1 (1pc each)</p>	 <p>SPT1-Tr</p> <p>Break-down: PG-1, PS-0, PH-Tr, PBT-1 (1pc each)</p>
	 <p>SPN2-NT + Existing Height gauge</p> <p>Break-down: PS-H4, PH-NT, PBN-2 (1pc each)</p>	 <p>SPK2-K</p> <p>Break-down: PG-1, PS-0, PH-K, PBK-2 (3pcs each), PBK-2 (1pc)</p>	 <p>SPW2-WE</p> <p>Break-down: PG-1, PS-0, PH-WE, PBT-2 (3pcs each), PBT-2 (1pc)</p>	 <p>SPT2-Tr</p> <p>Break-down: PG-1, PS-0, PH-Tr, PBT-2 (3pcs each), PBT-2 (1pc)</p>

# SPK-K

Simple Setter For Kd

BT  
CAT  
AHO  
HSK-A/E/F/C  
HSK-T  
UTS  
Specialized Machine  
Related Equipment  
Bush & Chamfering Drill  
Spanner Head Torque Wrench

Shrink Fit System

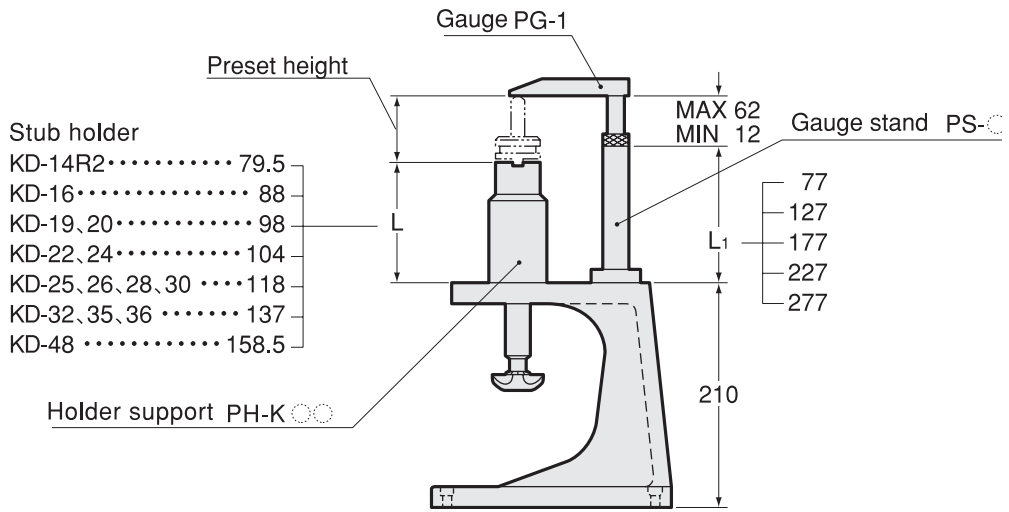
Digital measuring equipment reference position

Tool Presetter

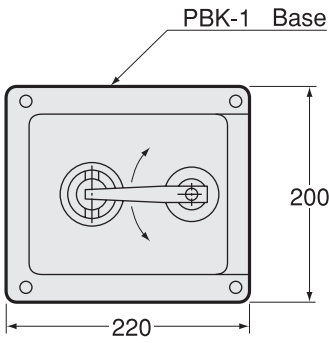
HSK Clamper

"R" Zero Setter

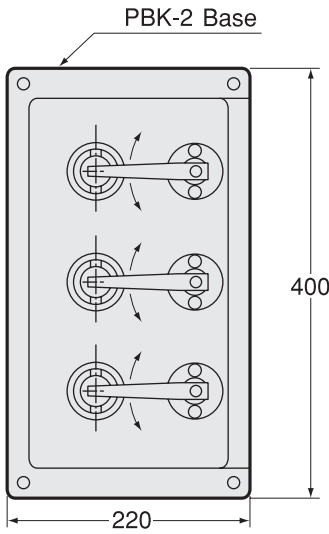
Simple Setter



SPK1



SPK2



Gauge	Gauge stand	Holder support	Base
PG-1	PS-○	PH-○K	PBK-1○ PBK-2○

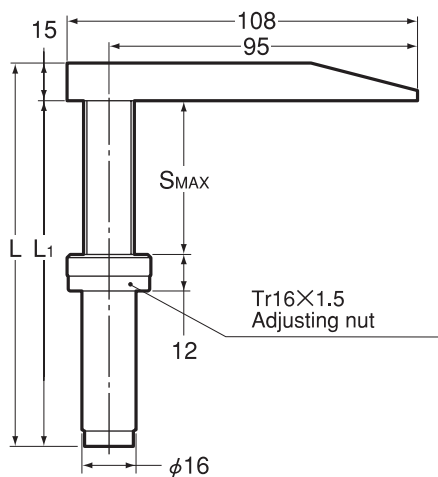
Ordering Example

Code

**SPK1 - K16 - 77**      **0090 02 1 16 077**

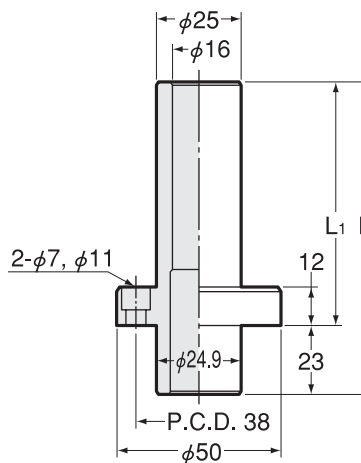
Base PBK-1    Holder Support    Gauge stand height L1      Base PBK-1    Holder Support      Gauge stand height L1

**PG**  
Guage



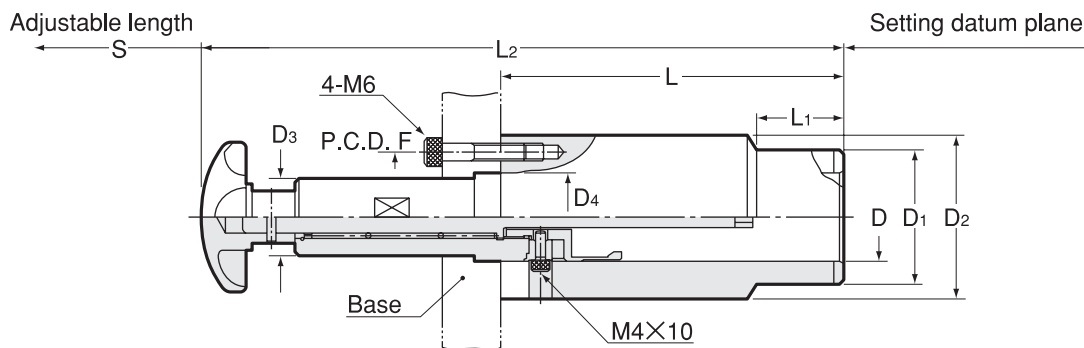
Code	Model	L	L1	SMAX	kg
0091 06000001	<b>PG-1</b>	128	113	50	0.4

**PS**  
Guage stand



Code	Model	L	L1
0091 01000001	<b>PS -1</b>	100	77
0091 01000002	<b>PS -2</b>	150	127
0091 01000003	<b>PS -3</b>	200	177
0091 01000004	<b>PS -4</b>	250	227
0091 01000005	<b>PS -5</b>	300	277

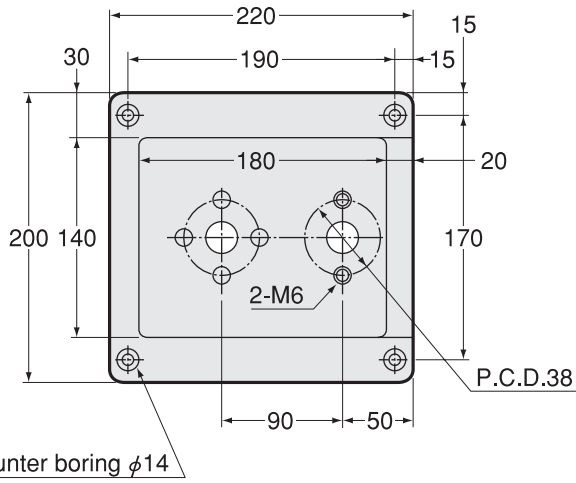
**PH-K**  
Holder support



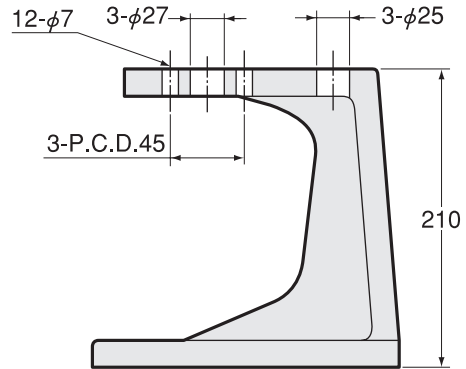
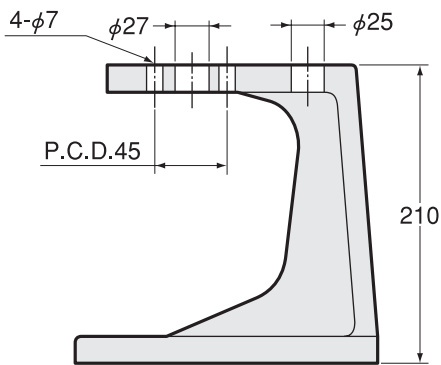
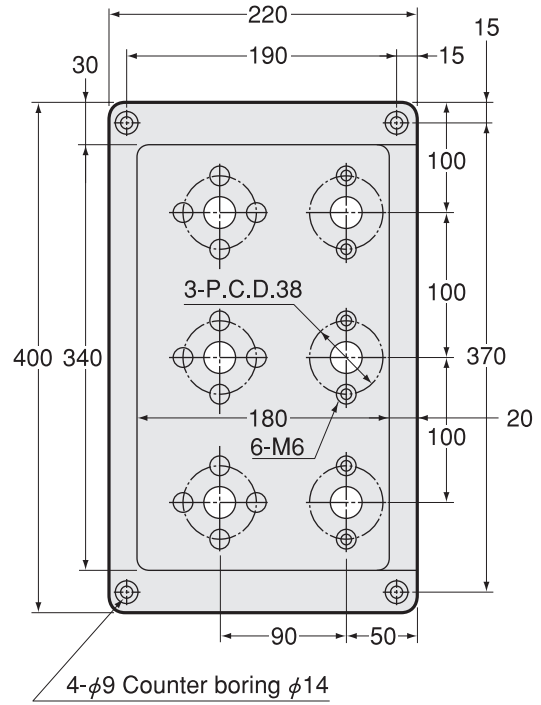
Code	Model	D	D1	D2	D3	D4	L	L1	L2	F	S	kg
0091 03000014	<b>PH -K14R2</b>	14	23	55	24	25	79.5	30	182	45	45	1.2
0091 03000016	<b>PH -K16</b>	16	25	55	24	25	88	30	190.5	45	45	1.3
0091 03000019	<b>PH -K19</b>	19	28	55	24	25	98	30	200.5	45	45	1.5
0091 03000020	<b>PH -K20</b>	20	28	55	24	25	98	30	200.5	45	45	1.5
0091 03000022	<b>PH -K22</b>	22	32	55	24	25	104	30	206.5	45	45	1.6
0091 03000024	<b>PH -K24</b>	24	32	55	24	25	104	30	206.5	45	45	1.6
0091 03000025	<b>PH -K25</b>	25	35	55	24	25	118	30	220.5	45	45	1.8
0091 03000026	<b>PH -K26</b>	26	35	55	24	25	118	30	220.5	45	45	1.8
0091 03000028	<b>PH -K28</b>	28	38	55	24	25	118	30	220.5	45	45	1.8
0091 03000030	<b>PH -K30</b>	30	40	55	24	25	118	30	220.5	45	45	
0091 03000032	<b>PH -K32</b>	32	42	55	24	25	137	30	239.5	45	45	1.9
0091 03000035	<b>PH -K35</b>	35	45	55	24	25	137	30	239.5	45	45	1.9
0091 03000036	<b>PH -K36</b>	36	45	55	24	25	137	30	239.5	45	45	1.8
0091 03000048	<b>PH -K48</b>	48	63	65	24	25	158.5	30	261	45	45	

PBK Base

TYPE1



TYPE2



Code	Model	Type	Holder support	Gauge stand
0091 07100145	<b>PBK -1-45</b>	1	PH-K14R2 ~ PH-K48	PS-1 ~ PS-5
0091 07100245	<b>PBK -2-45</b>	2	PH-K14R2 ~ PH-K48	PS-1 ~ PS-5