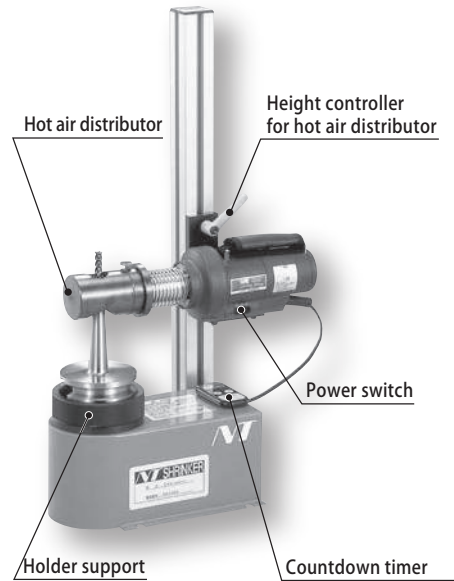
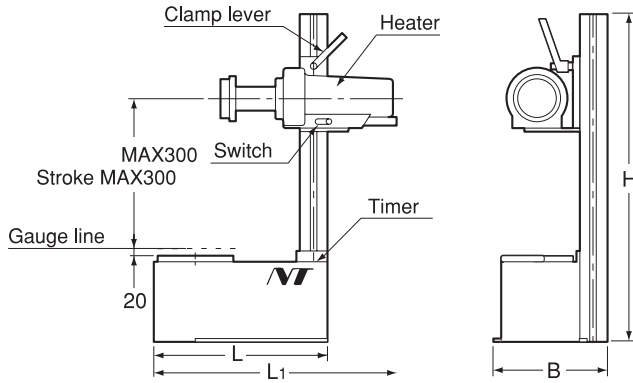


# SRK-HA1 , SRK-HB2

Economy Type Heater



Code	Model	L	B	H	L1	Voltage	Watt	Anpere	kg
3064 00000111	<b>SRK- HA1</b>	275	190	660	380	100V (Single phase)	1200W	12A	7.5
3064 00000121	<b>SRK- HB2-200</b>	275	190	660	416	200V (Single phase)	3000W	6A	7.5
3064 00000124	<b>SRK- HB2-220</b>	275	190	660	416	220V (Single phase)	3000W	6A	7.5
3064 00000125	<b>SRK- HB2-230</b>	275	190	660	416	230V (Single phase)	3000W	6A	7.5

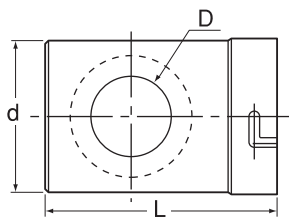
● Accessories

Power cord (3m), countdown timer and a pair of heat- resistant gloves are included. (Hot air distributor and holder support are sold separately.)

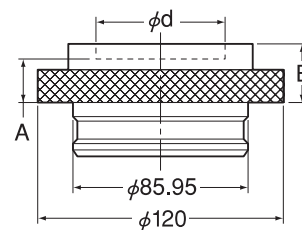
⚠ Not applicable for SR ※ 6A, SR ※ 8A and SRE.

### Accessories

#### Hot air distributor (Heating head)



#### Holder support



Model	Chuck type	Tool Shank Dia.	D	d	L
<b>SRK-HA -HE15S</b>	Slimtype (SRS)	$\phi$ 3 ~ 10	16	43	77
<b>SRK-HA -HE27S</b>	Slimtype (SRS)	$\phi$ 12 ~ 20	29	61	87
<b>SRK-HA -HE15</b>	Heavytype, DINstandard (SRK,SRD)	Heavy type $\phi$ 3 ~ 5	15	43	85
<b>SRK-HA -HE26</b>	Heavytype, DINstandard (SRK,SRD)	Heavy type $\phi$ 6~10 DIN standard $\phi$ 3~12	27	43	85
<b>SRK-HA -HE32</b>	Heavytype, DINstandard (SRK,SRD)	Heavy type $\phi$ 12~20 DIN standard $\phi$ 14~20	39	61	93
<b>SRK-HA -HE40</b>	Heavytype, DINstandard (SRK,SRD)	$\phi$ 25 ~ 32	59	79	122

Model	d	A	B
<b>SRK-SP -HSK 25</b>	25.3	20	27
<b>SRK-SP -HSK 32</b>	32.3	20	27
<b>SRK-SP -HSK 40</b>	40.3	20	27
<b>SRK-SP -BT30</b>	46.3	20	27
<b>SRK-SP -HSK 50</b>	50.3	20	27
<b>SRK-SP -HSK 63/BT40</b>	63.8	20	27
<b>SRK-SP -HSK 80</b>	80.3	20	27
<b>SRK-SP -HSK100/BT50</b>	100.3	20	30

BT  
CAT  
AHO  
HSK-A/E/F/C  
HSK-T  
UTS  
Specialized Machine

Related Equipment  
Bush & Chamfering Drill

Spanner Head Torque Wrench  
Srink Fit System

Digital measuring equipment reference position

Tool Presetter

HSK Clamper

"R" Zero Setter

Simple Setter