

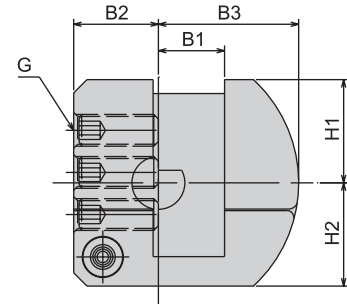
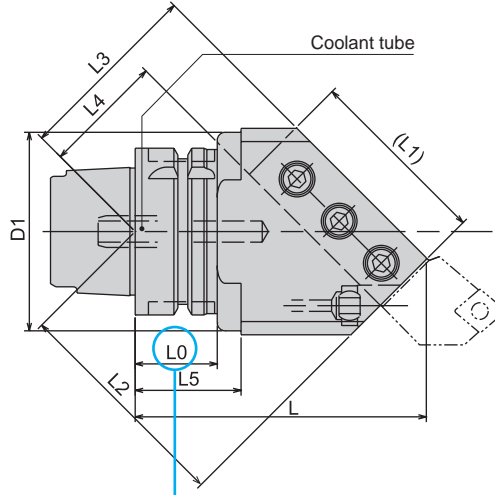
SBN

MORI SEIKI CO.,LTD granted NT TOOL a manufacturing and distribution license under the patent No.3720202 .

HSK-T Turning Tools

- For External / Facing

- BT
- CAT
- AHO
- HSK-A/E/F/C
- HSK-T**
- UTS
- Specialized Machine
- Related Equipment
- Bush & Chamfering Drill
- Turning Tools



Caution
 ★ Take caution against A.T.C. arm and tool magazine interference.

Right-hand drawing shown

- Coolant tube is included.

Metric Sizes Unit : Metric

Code	Model	L	(L1)	L2	L3	L4	L5	D1	B1	B2	B3	H1	H2	L0	G	Kg
590004240110	HSK50T -SBN2020 R -110	110	60	83.1	72.8	52.8	—	—	20	25	43.5	35	35	31	M10	2.4
590004241110	L -110	110	60	83.1	72.8	52.8	—	—	20	25	43.5	35	35	31	M10	2.4
590005240110	HSK63T -SBN2020 R -110	110	60	83.1	72.8	52.8	—	—	20	32	43.5	35	35	32	M10	2.9
590005241110	L -110	110	60	83.1	72.8	52.8	—	—	20	32	43.5	35	35	32	M10	2.9
590005250110	-SBN2525 R -110	110	70	85.2	70.8	45.8	40	90	25	32	53	39	39	32	M12	3.2
590005251110	L -110	110	70	85.2	70.8	45.8	40	90	25	32	53	39	39	32	M12	3.2
590007250135	HSK100T -SBN2525 R -135	135	70	102.9	88.5	63.5	—	—	25	32	59	43	43	35	M12	6.4
590007251135	L -135	135	70	102.9	88.5	63.5	—	—	25	32	59	43	43	35	M12	6.4
590007260140	-SBN3232 R -140	140	85	109.9	89	59	—	—	32	37	68.5	48	43	35	M14	7.2
590007261140	L -140	140	85	109.9	89	59	—	—	32	37	68.5	48	43	35	M14	7.2

- 1.Direction of coolant nozzle can be adjusted. (Coolant may not reach the cutting edge properly depending on the bit shape.)
- 2.Please shorten a square bit if necessary.
- 3.HSK-T type has no manual clamping hole and ID chip recess.

Ordering Example

HSK63T - SBN 2020 R - 110
 Shank size □ Left hand - L Projection length (L)
 □ Right hand - R